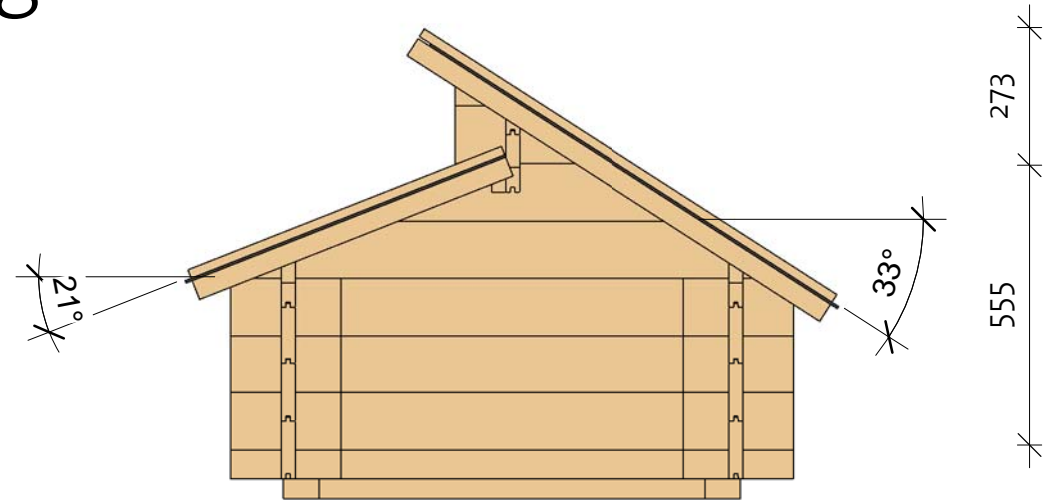
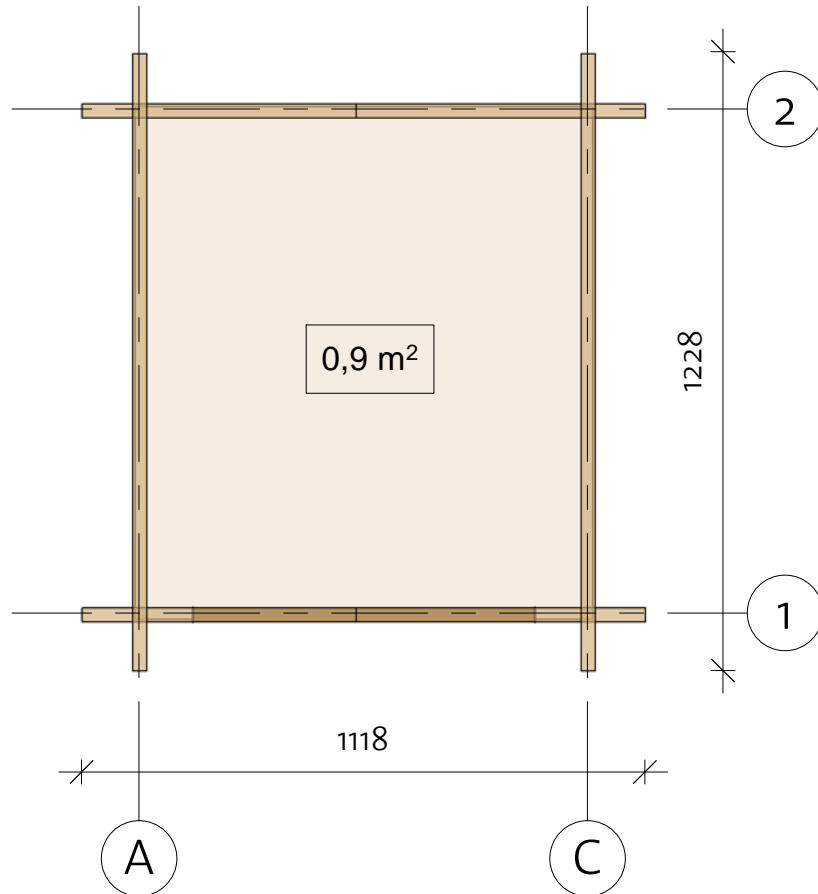
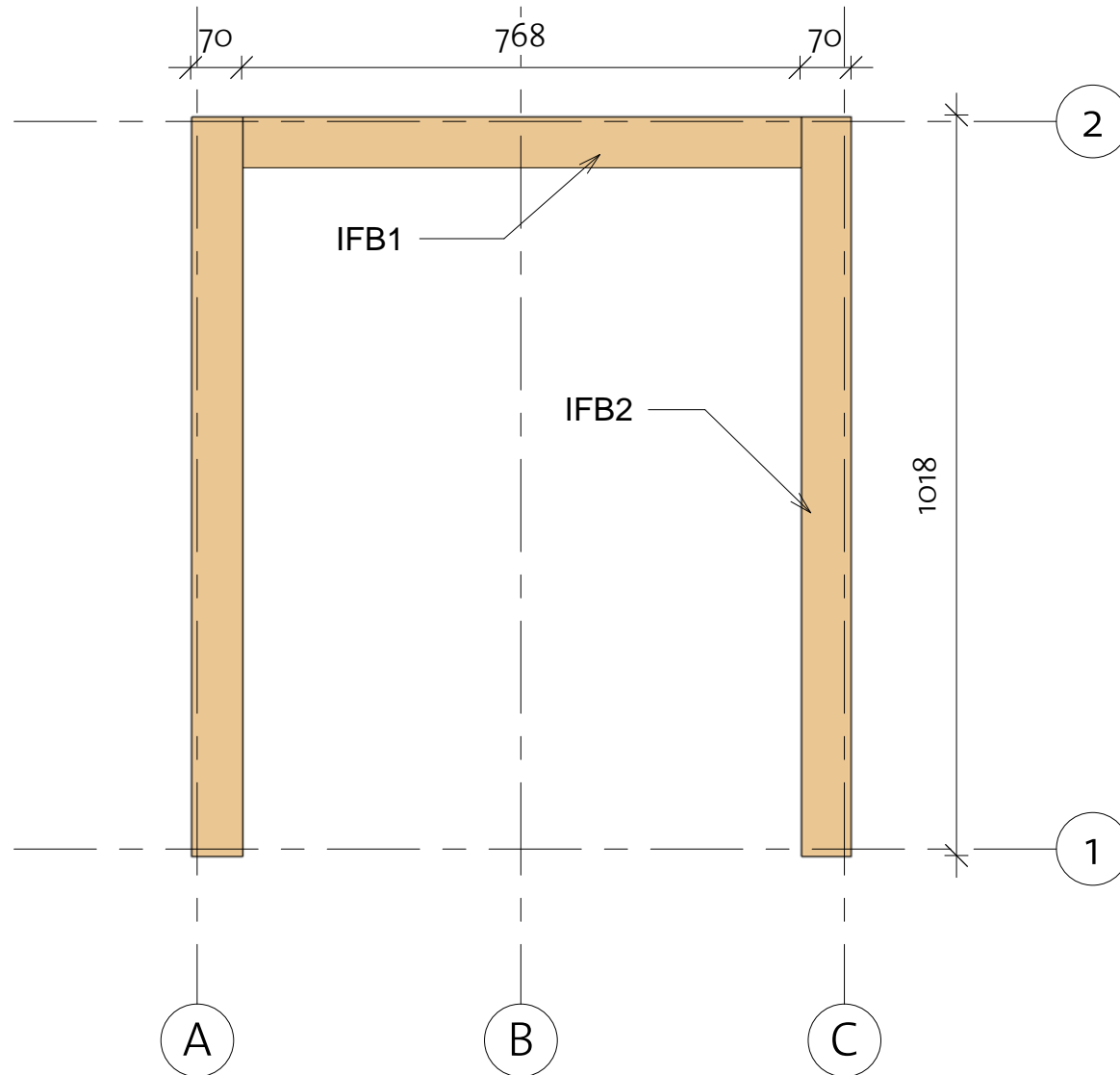


# Robot Lawn Mower Garage II 28 (92x103)



# Robot Lawn Mower Garage II 28 (92x103)

Foundation

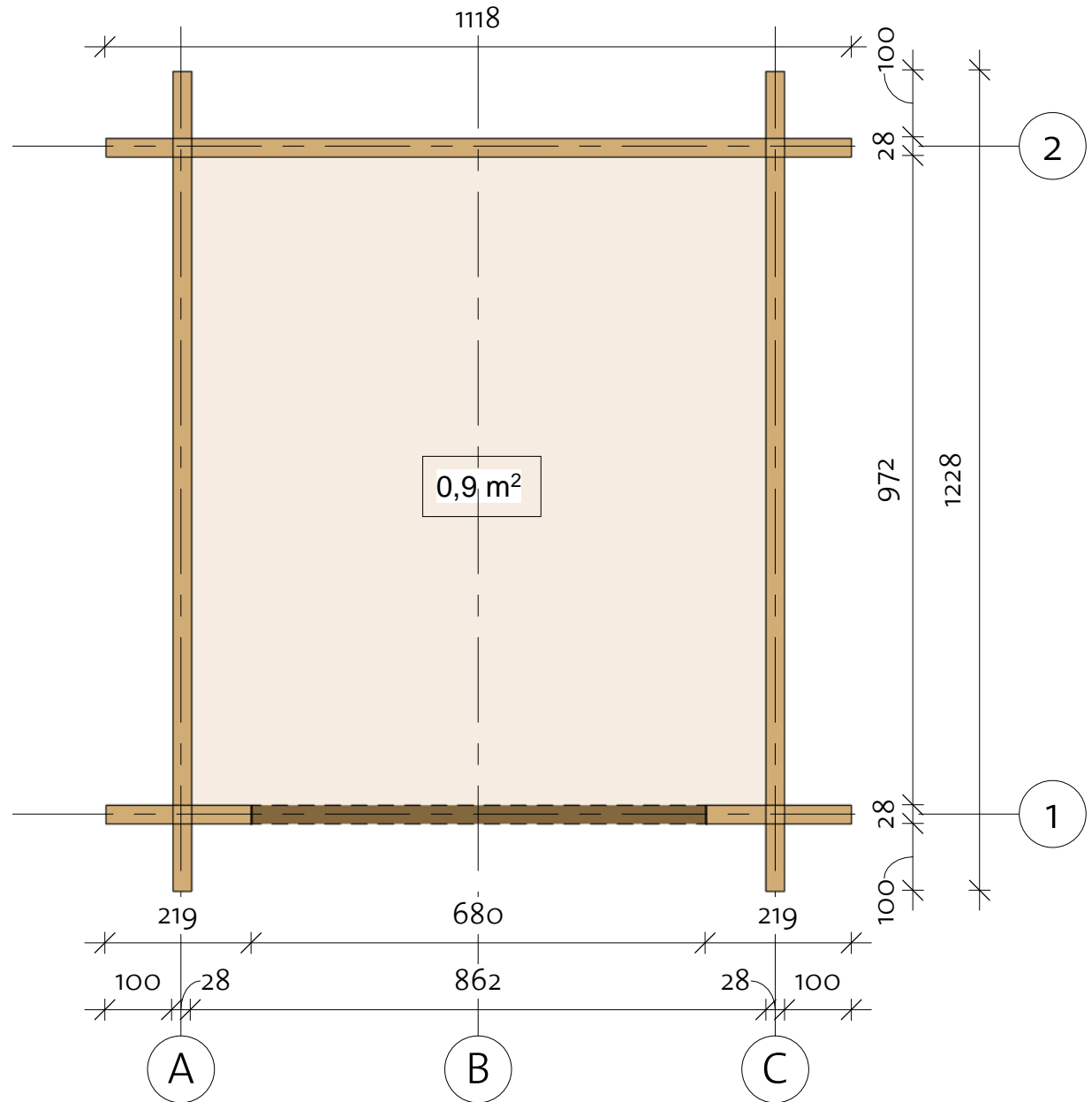
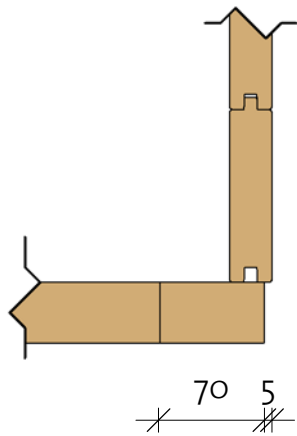


Impregnated foundation beams				
Mark	Type	Profile	Count	Length
IFB1	IFB 70x40		1	768
IFB2	IFB 70x40		2	1018

# Robot Lawn Mower Garage II 28 (92x103)

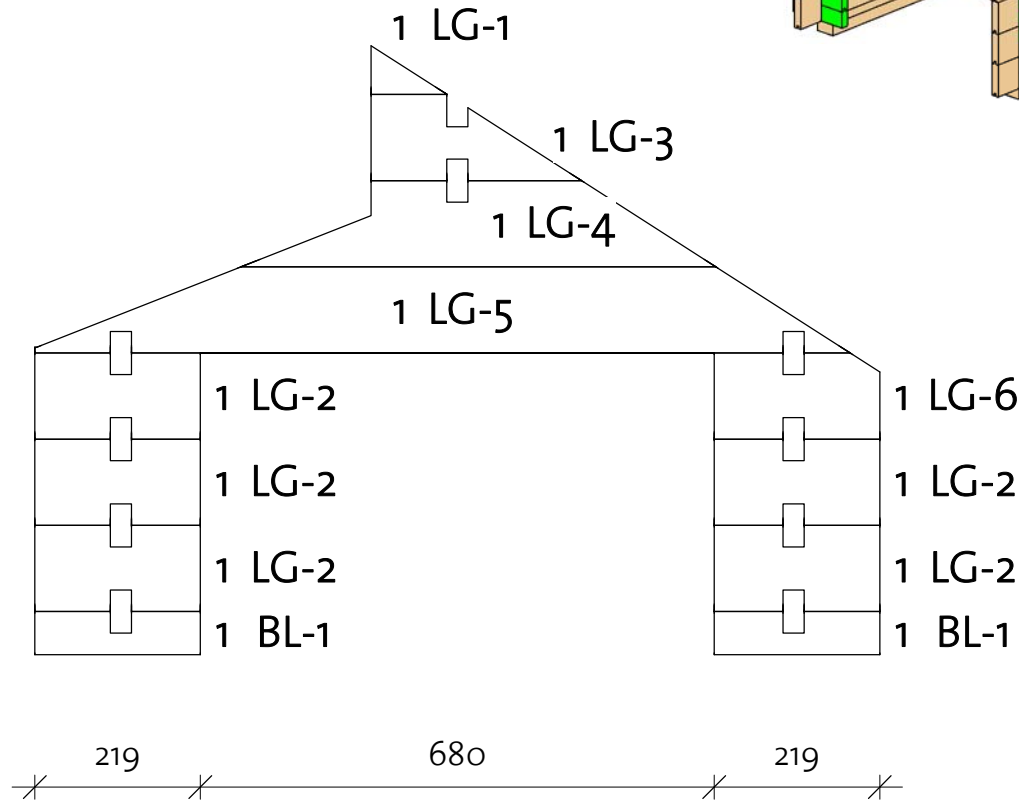
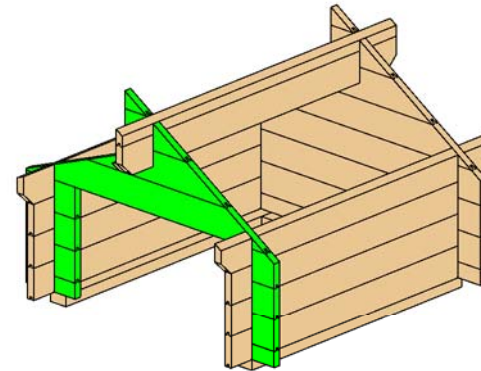
Floor Plan

① Foundation



# Robot Lawn Mower Garage II 28 (92x103)

Wall 1





Wall 1			
Mark	Profile	Count	Cut Length

1BL-1	28x57	2	219
1LG-1*	28x114	1	100
1LG-2	28x114	5	219
1LG-3*	28x114	1	278
1LG-4**	28x114	1	628
1LG-5**	28x114	1	1079
1LG-6	28x114	1	219

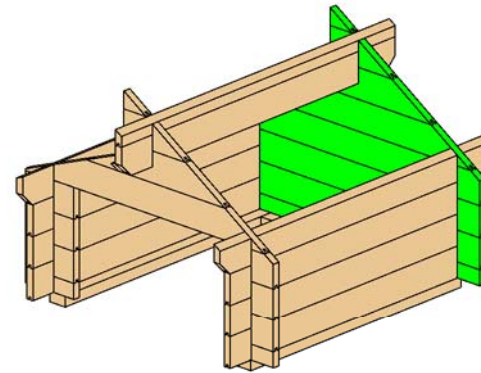
\* Gable - delivered premounted

Log Profile Wall 1	
Profile	Profile

28x57	
28x114	

# Robot Lawn Mower Garage II 28 (92x103)

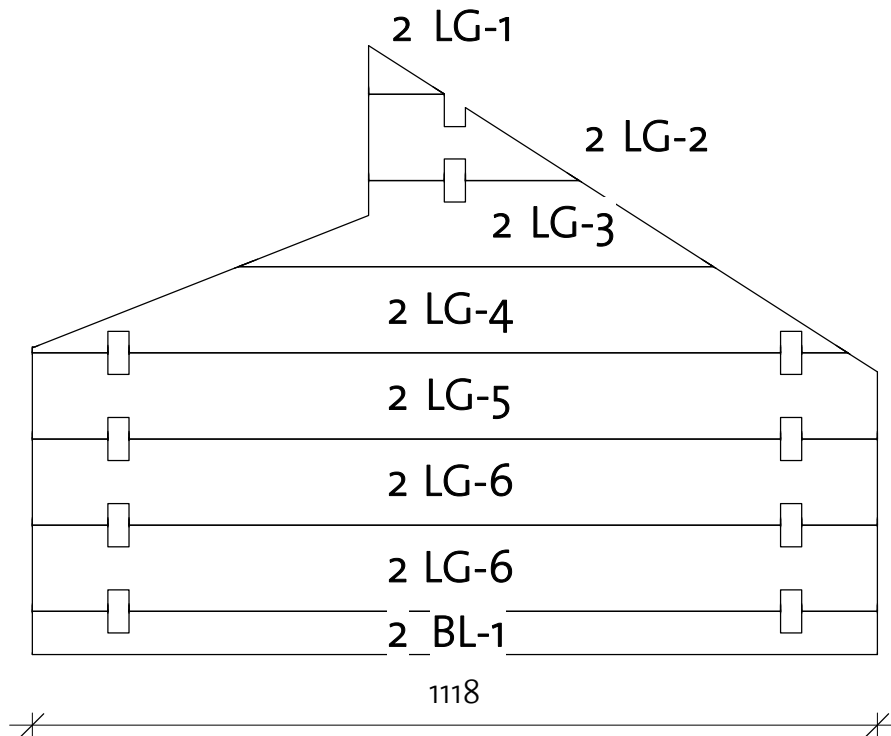
Wall 2



Wall 2			
Mark	Profile	Count	Cut Length

2BL-1	28x57	1	1118
2LG-1*	28x114	1	100
2LG-2*	28x114	1	278
2LG-3**	28x114	1	628
2LG-4**	28x114	1	1079
2LG-5	28x114	1	1118
2LG-6	28x114	2	1118

\* Gable - delivered premounted

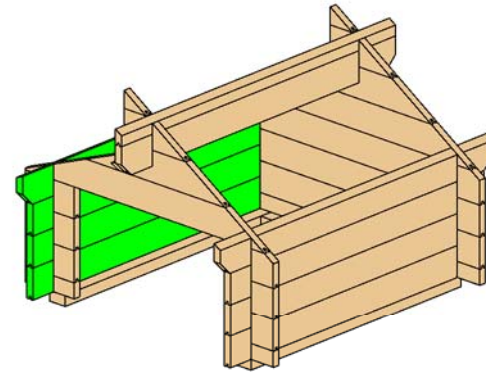


Log Profile Wall 2	
Profile	Profile

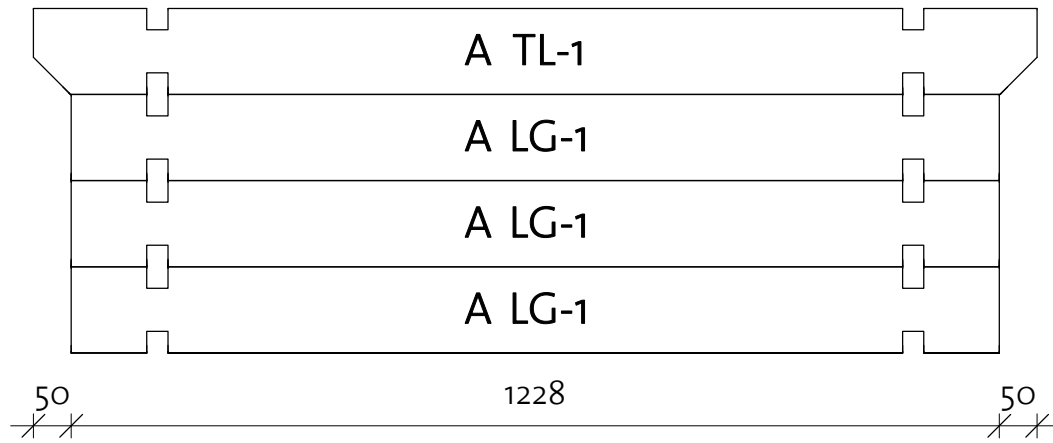
28x57	
28x114	

# Robot Lawn Mower Garage II 28 (92x103)

Wall A



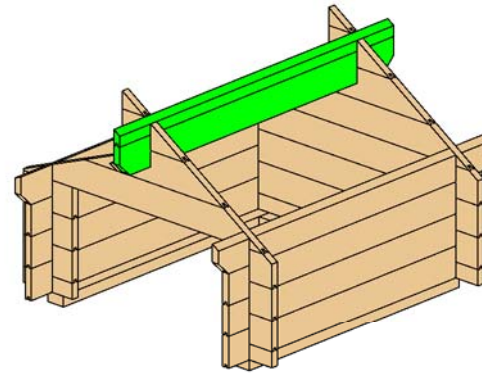
Wall A			
Mark	Profile	Count	Cut Length
ALG-1	28x114	3	1228
ATL-1	28x114	1	1328



Log Profile Wall A	
Profile	Profile
28x114	
28x114	

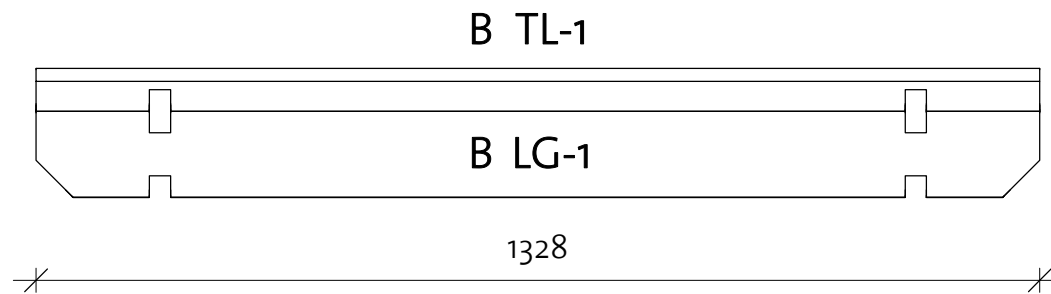
# Robot Lawn Mower Garage II 28 (92x103)

Wall B



Wall B			
Mark	Profile	Count	Cut Length

BLG-1	28x114	1	1328
BTL-1	28x57	1	1328

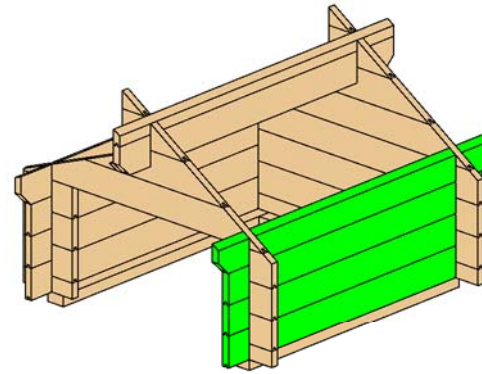


Log Profile Wall B	
Profile	Profile

28x114	
28x57	

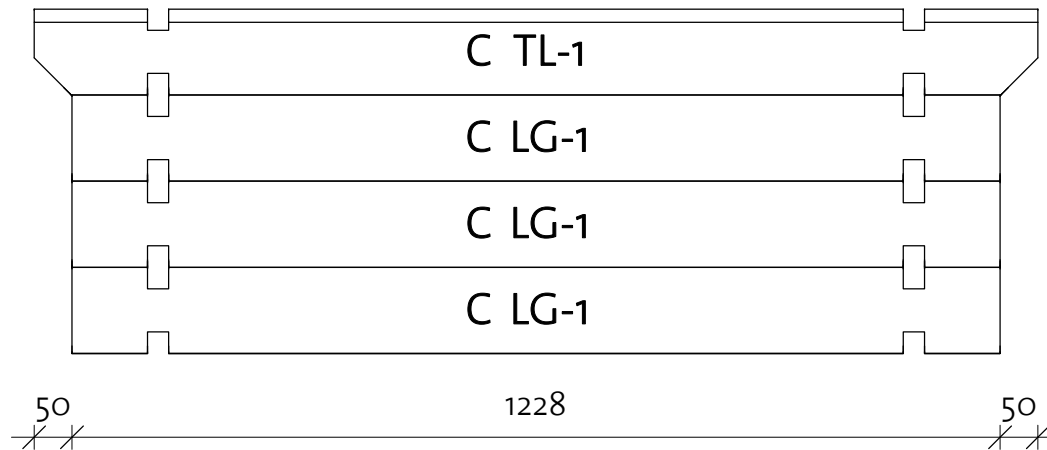
# Robot Lawn Mower Garage II 28 (92x103)

Wall C



Wall C			
Mark	Profile	Count	Cut Length

CLG-1	28x114	3	1228
CTL-1	28x114	1	1328



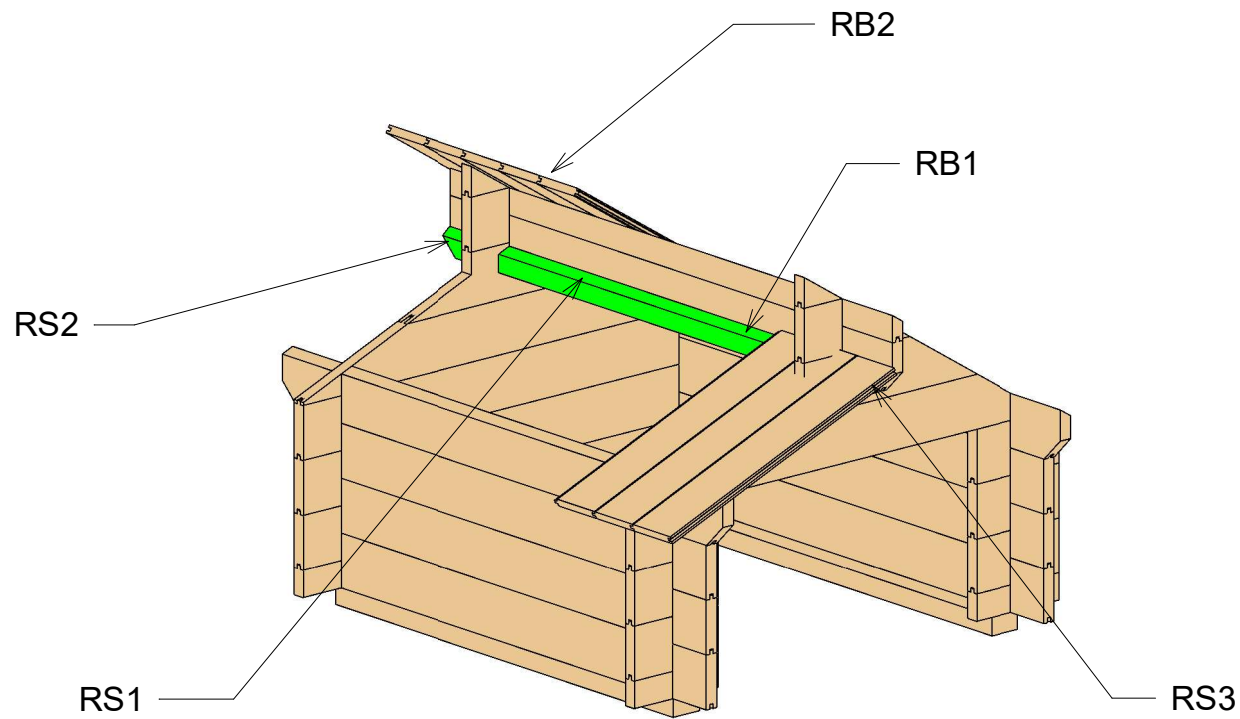
Log Profile Wall C	
Profile	Profile



28x114	
28x114	






# Robot Lawn Mower Garage II 28 (92x103)

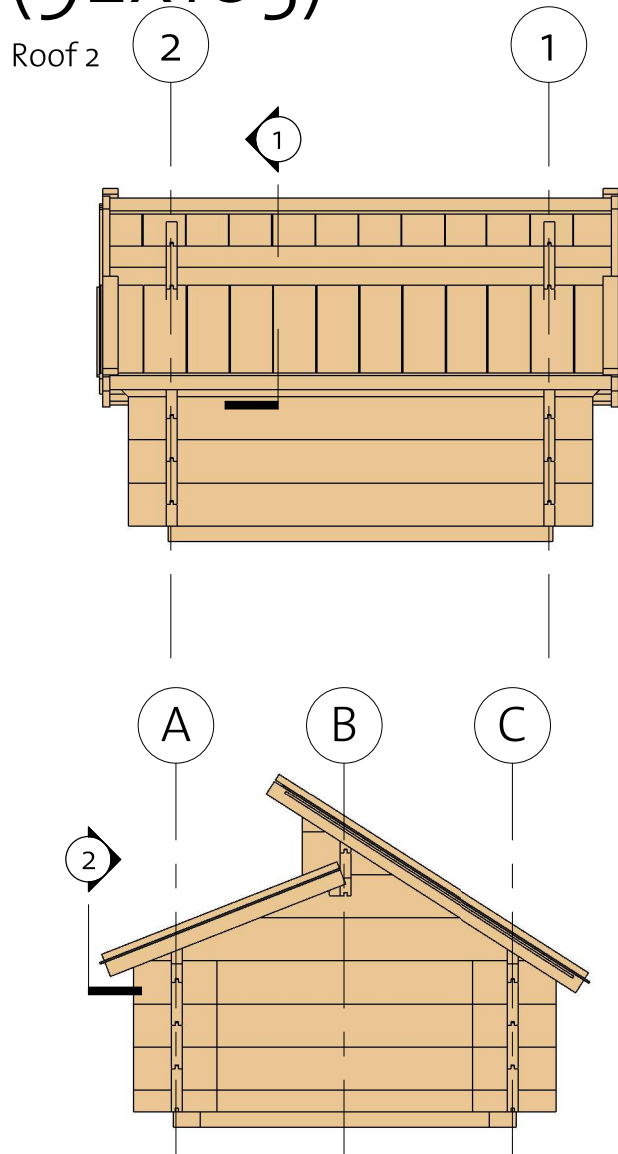
Roof 1



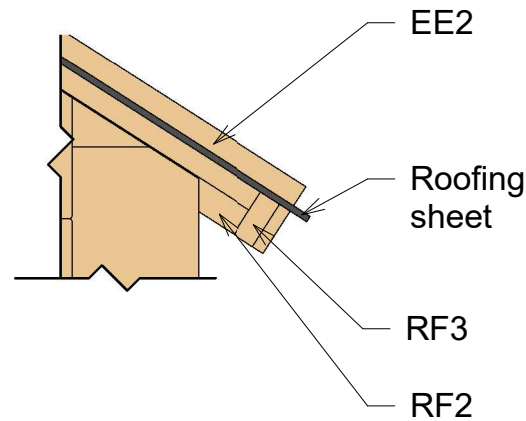
Roof				
Mark	Type	Profile	Count	Length
RB1	17x114		12	632
RB2	17x114		12	907

Roof Support				
Mark	Type	Profile	Count	Length
RS1	Log 28x50		1	150
RS2	Log 28x50		1	972
RS3	Log 28x50		1	150

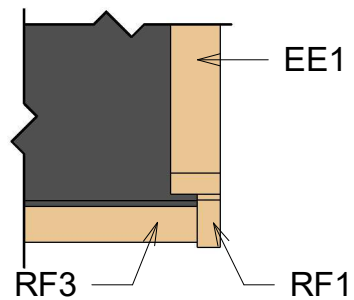
# Robot Lawn Mower Garage II 28 (92x103)



① Facia



② Roof Reinforcement



Fascia Schedule

Mark	Type	Profile	Count	Length
EE1	Eave Edging 18x40		2	667
EE2	Eave Edging 18x40		2	974
RF1	Roof Fascia 18x40		2	667
RF2	Roof Fascia 18x40		2	974
RF3	Roof Fascia 18x40		3	1328



Type	Size	Count
------	------	-------

Sheet 1	1374x964	1
Sheet 2	1374x667	1






# Robot Lawn Mower Garage II 28 (92x103)

## List of all items 1



### Impregnated foundation beams

Mark	Type	Profile	Count	Length
IFB1	IFB 70x40		1	768
IFB2	IFB 70x40		2	1018




### Fascia Schedule

Mark	Type	Profile	Count	Length
EE1	Eave Edging 18x40		2	667
EE2	Eave Edging 18x40		2	974
RF1	Roof Fascia 18x40		2	667
RF2	Roof Fascia 18x40		2	974
RF3	Roof Fascia 18x40		3	1328

### Roof

Mark	Type	Profile	Count	Length
RB1	17x114		12	632
RB2	17x114		12	907

### Roof Support

Mark	Type	Profile	Count	Length
RS1	Log 28x50		1	150
RS2	Log 28x50		1	972
RS3	Log 28x50		1	150

### Fasteners & Extras

Name	Type	Count
------	------	-------

Hitblock	300-400 mm	
Screws	6,0 x 140	16
Screws	4,0 x 40	40
Screws	4,0 x 50	65

Type	Size	Count
------	------	-------

Sheet 1	1374x964	1
Sheet 2	1374x667	1

# Robot Lawn Mower Garage II 28 (92x103)

## List of all items 2

Wall 1			
Mark	Profile	Count	Cut Length

1BL-1	28x57	2	219
1LG-1*	28x114	1	100
1LG-2	28x114	5	219
1LG-3*	28x114	1	278
1LG-4**	28x114	1	628
1LG-5**	28x114	1	1079
1LG-6	28x114	1	219

Wall A			
Mark	Profile	Count	Cut Length

ALG-1	28x114	3	1228
ATL-1	28x114	1	1328

Wall C			
Mark	Profile	Count	Cut Length

CLG-1	28x114	3	1228
CTL-1	28x114	1	1328

Wall 2			
Mark	Profile	Count	Cut Length



2BL-1	28x57	1	1118
2LG-1*	28x114	1	100
2LG-2*	28x114	1	278
2LG-3**	28x114	1	628
2LG-4**	28x114	1	1079
2LG-5	28x114	1	1118
2LG-6	28x114	2	1118

\* Gable - delivered premounted


Wall B			
Mark	Profile	Count	Cut Length

BLG-1	28x114	1	1328
BTL-1	28x57	1	1328

Log Profiles	
Profile	Profile

28x57	
28x114	

Log Profiles	
Profile	Profile

28x57	
28x114	